

74 K 16

STEREO INTEGRATED AMPLIFIER

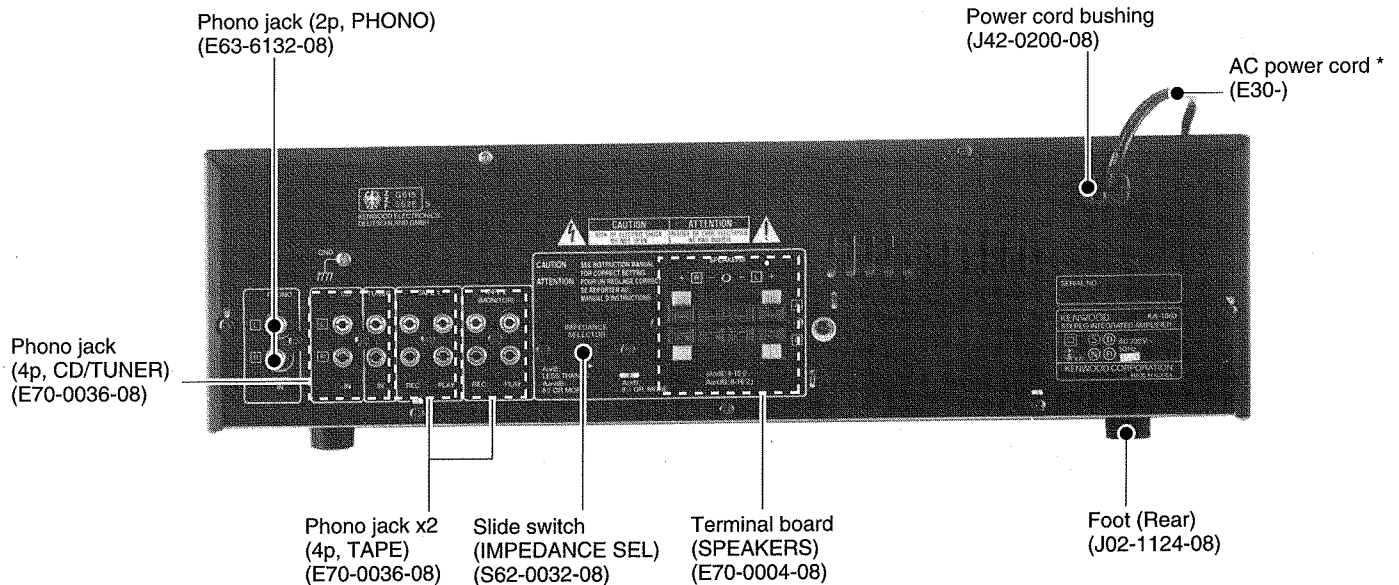
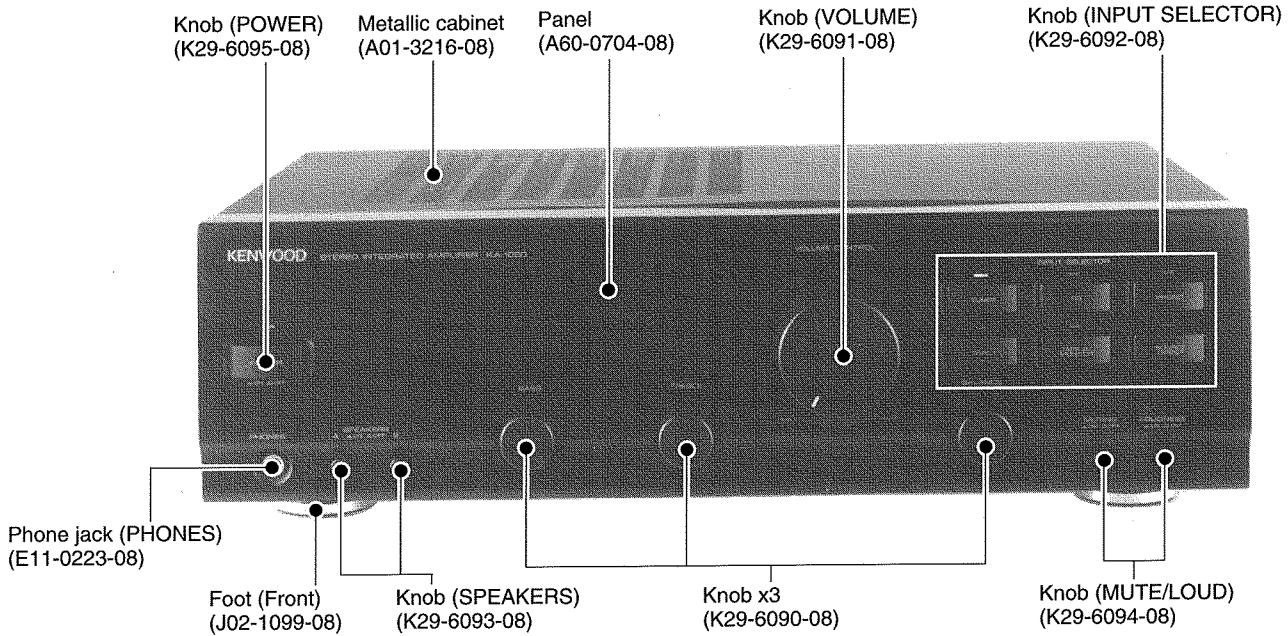
KA-1060

SERVICE MANUAL

KENWOOD

©1994-9 PRINTED IN KOREA
B51-4912-00 (K) 2758

E-2146



* Refer to parts list on page 14.

Caution:

Signal ground floats from chassis ground. Please connect the cold lead of tester or oscilloscope to the cold terminal of speaker or input jack if check and/or measure the voltage. (Don't connect ground of unit.)

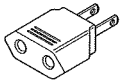
KA-1060

CONTENTS / ACCESSORIES

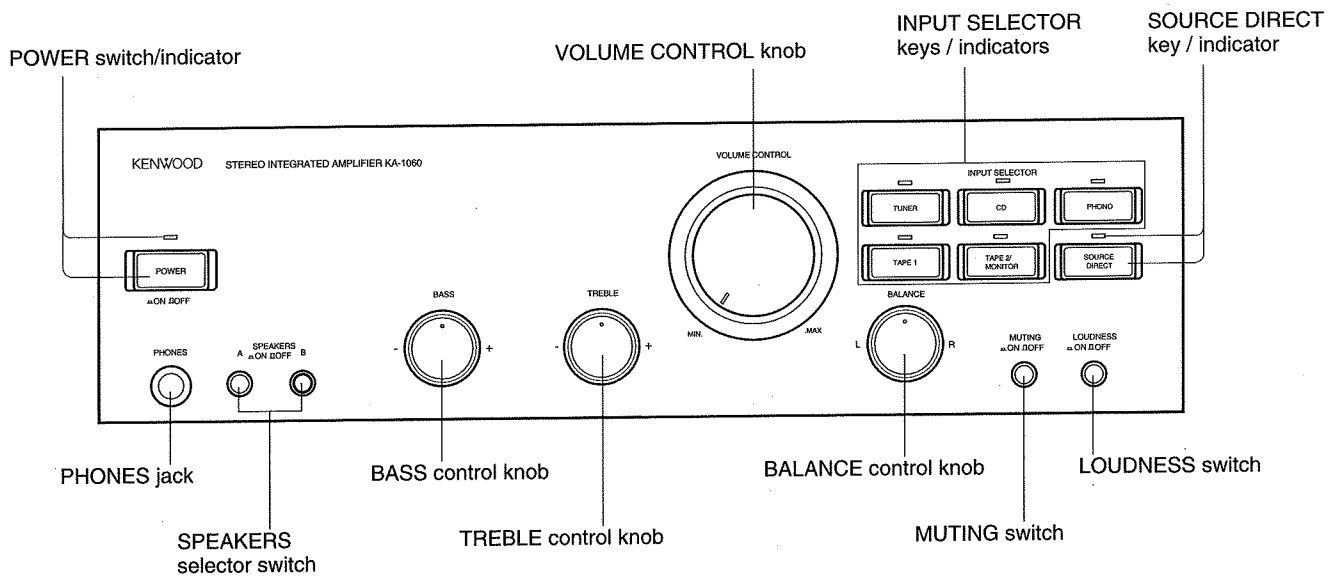
CONTROLS	2	SCHEMATIC DIAGRAM	9
BLOCK DIAGRAM	3	EXPLODED VIEW	13
ADJUSTMENT / AJUSTES	4	PARTS LIST	14
PC BOARD	5	SPECIFICATIONS	Back cover

Accessories

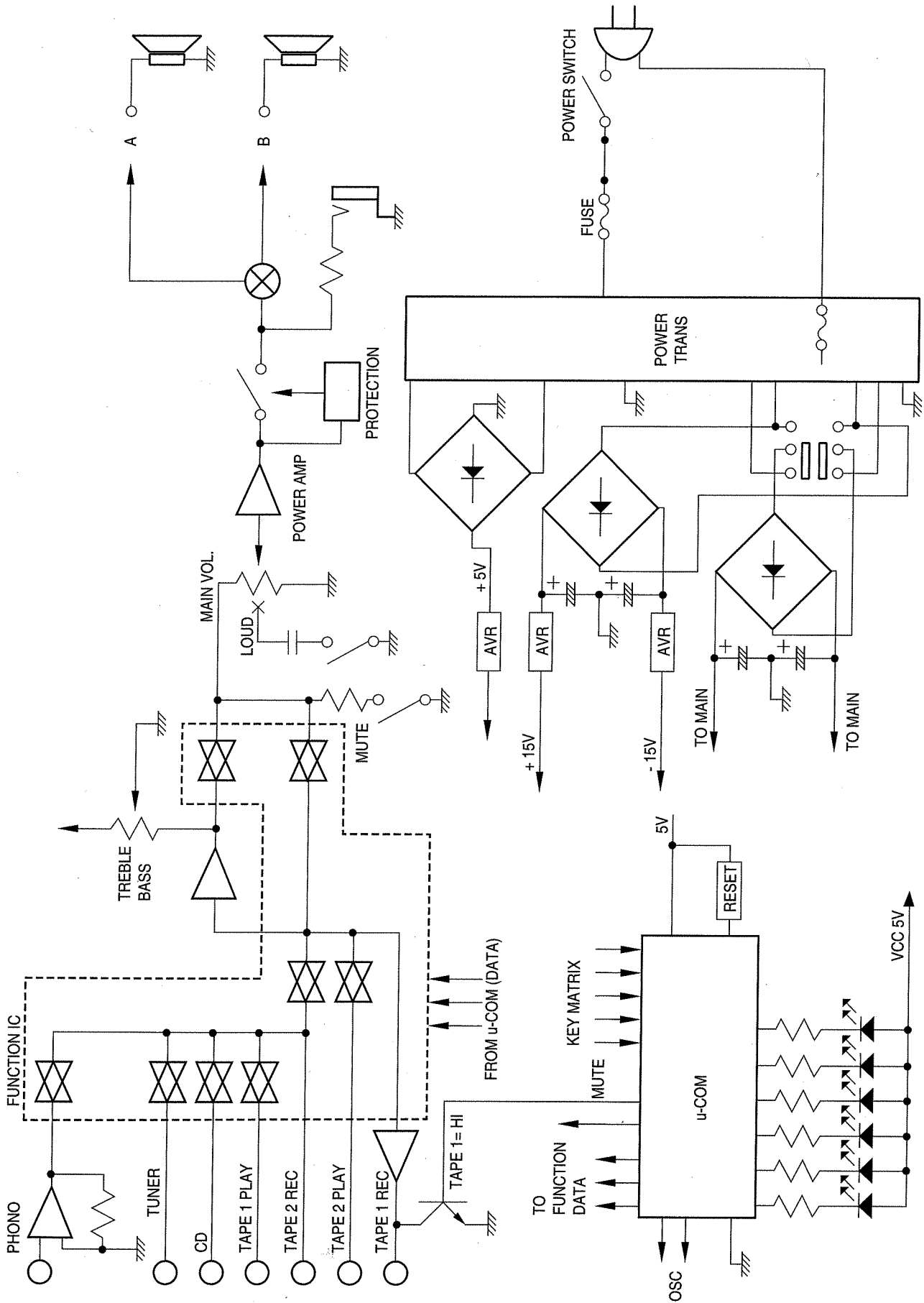
AC plug adaptor (1)
(E03-0115-05)
M type only



Controls



BLOCK DIAGRAM



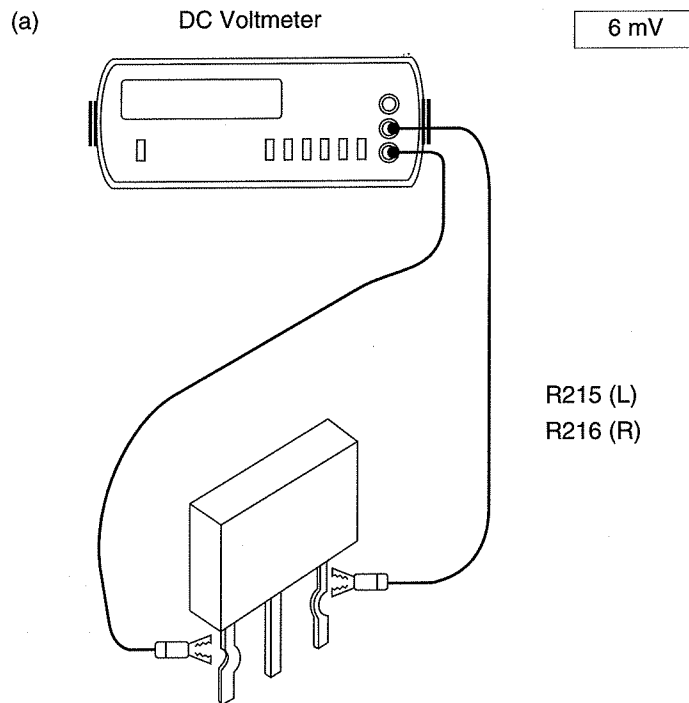
ADJUSTMENT / AJUSTES

ENGLISH

No.	ITEM	INPUT SETTINGS	OUTPUT SETTINGS	AMPLIFIER SETTINGS	ALIGNMENT POINTS	ALIGN FOR	FIG.
Unless otherwise specified, the individual switches should be set as following: POWER:ON SPEAKER:B SELECTOR:PHONO							
1	IDLE CURRENT	-	Connect a DC voltmeter between R215 (Lch), R216 (Rch). (MAIN PCB)	VOLUME: 0	VR101 (L) VR102 (R) (MAIN PCB)	13 mV (30mA)	(a)

ESPAÑOL

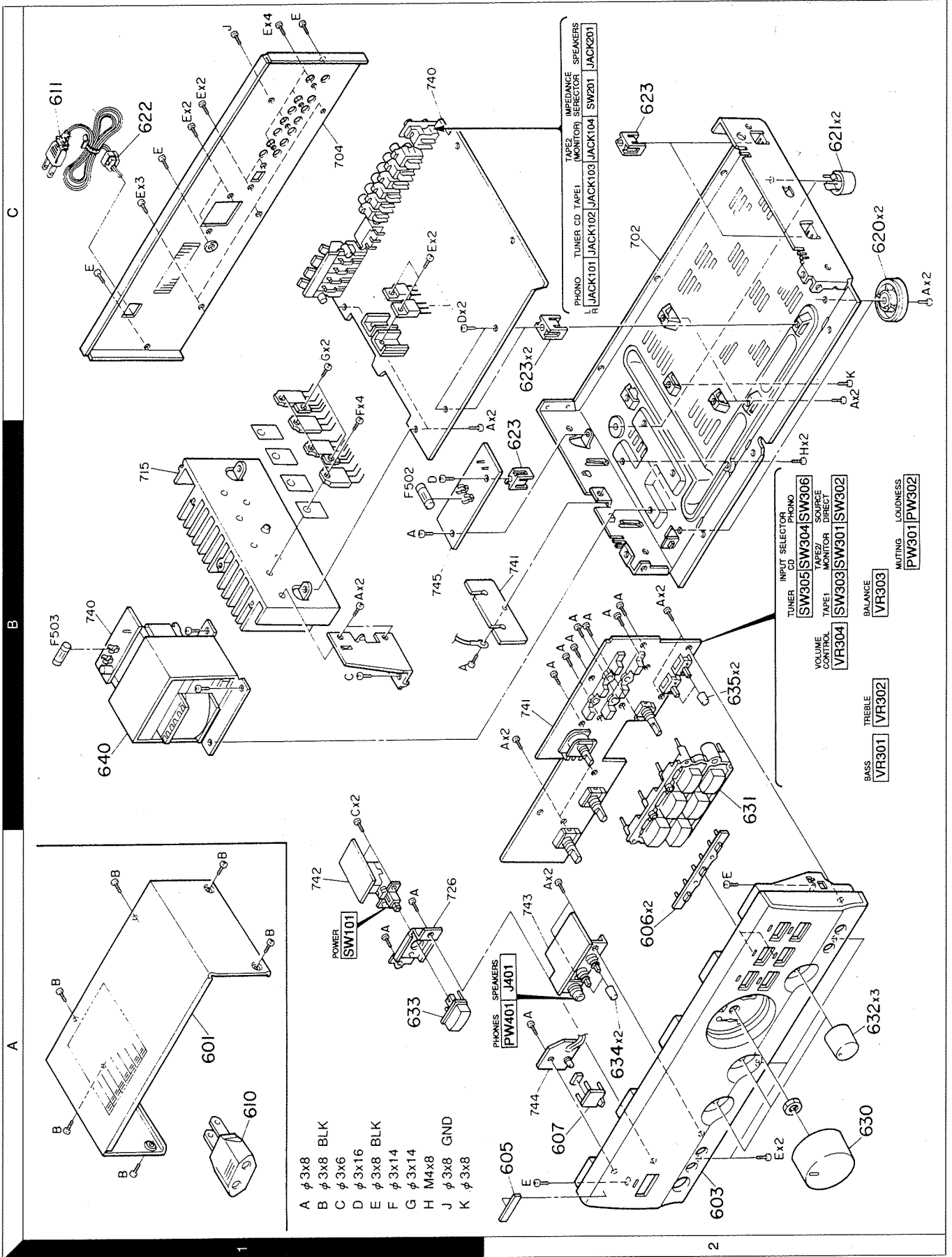
N.º	ÍTEM	AJUSTES DE ENTRADA	AJUSTES DE SALIDA	AJUSTES DEL AMPLIFICADOR	PUNTOS DE ALINEACIÓN	ALINEACIÓN PARA	FIG.
A menos que se especifique otra cosa, los controles individuales deberán ajustarse de la forma siguiente: POWER:ON SPEAKER:B SELECTOR:PHONO							
1	OCIOSA CORRIENTE	-	Conecte un voltímetro de CC entre R215(L) y R216 (R). (MAIN PCB)	VOLUME: 0	VR101 (L) VR102 (R) (MAIN PCB)	13 mV (30mA)	(a)



Caution:

Signal ground floats from chassis ground. Please connect the cold lead of tester or oscilloscope to the cold terminal of speaker or input jack if check and/or measure the voltage. (Don't connect ground of unit.)

EXPLODED VIEW



KA-1060

PARTS LIST

× New Parts

Parts without Parts No. are not supplied.

Les articles non mentionnes dans le Parts No. ne sont pas fournis.

Teile ohne Parts No. werden nicht geliefert.

Ref. No. 参照番号	Address 位置	New Parts 新	Parts No. 部品番号	Description 部品名 / 規格	Desti- nation 仕向	Re- marks 備考
KA-1060						
601	1A	*	A01-3216-08	METALLIC CABINET		
603	2A	*	A60-0704-08	PANEL		
605	2A		B43-0287-04	KENWOOD BADGE		
606	2A	*	B12-0250-08	INDICATOR (INPUT SELECTOR)		
607	2A	*	B12-0251-08	INDICATOR (POWER)		
-			B46-0121-33	WARRANTY CARD		P
-			B46-0122-23	WARRANTY CARD		E
-			B46-0143-13	WARRANTY CARD		T
-		*	B60-1820-08	INSTRUCTION MANUAL (EN)		PMTE
-		*	B60-1821-08	INSTRUCTION MANUAL (F)		P
-		*	B60-1822-08	INSTRUCTION MANUAL (SP)		M
-		*	B60-1823-08	INSTRUCTION MANUAL (C)		M
-		*	B60-1824-08	INSTRUCTION MANUAL (TAIWAN)		M
-		*	B60-1825-08	INSTRUCTION MANUAL (F/G/D/I/S)		E
-		*	B60-1826-08	INSTRUCTION MANUAL (G)		G
△ 610	1A		E03-0115-05	AC PLUG ADAPTOR		M
△ 611	1C		E30-2718-05	AC POWER CORD		T
△ 611	1C	*	E30-2799-08	AC POWER CORD		MEG
△ 611	1C	*	E30-2800-08	AC POWER CORD		P
-		*	H50-1292-08	ITEM CARTON CASE		PEGT
-		*	H50-1293-08	ITEM CARTON CASE		M
-		*	H10-5976-08	POLYSTYRENE FOAMED FIXTURE		
-		*	H25-1544-08	PROTECTION BAG (SET)		
-		*	H25-1545-08	PROTECTION BAG (MANUAL)		
620	2B		J02-1099-08	FOOT ASSY FRONT		
621	2C	*	J02-1124-08	FOOT REAR		
622	1C	*	J42-0200-08	POWER CORD BUSHING		
623	2B, 2C	*	J19-3750-08	UNIT HOLDER		
630	2A	*	K29-6091-08	KNOB (VOLUME CONTROL)		
631	2B	*	K29-6092-08	KNOB (INPUT SELECTOR)		
632	2A	*	K29-6090-08	KNOB (BASS/TREBLE/BALANCE)		
633	2A	*	K29-6095-08	KNOB (POWER)		
634	2A	*	K29-6093-08	KNOB (SPEAKERS)		
635	2B	*	K29-6094-08	KNOB (MUTING/LOUDNESS)		
△ 640	1B	*	L07-1904-08	POWER TRANSFORMER		M
△ 640	1B	*	L07-1905-08	POWER TRANSFORMER		P
△ 640	1B	*	L07-1906-08	POWER TRANSFORMER		E
△ 640	1B	*	L07-1907-08	POWER TRANSFORMER		T
A	2A, 2B		N89-3008-46	BIND HD TAPTITE SCREW M3X8		
B	1A		N09-3094-08	BIND HEAD SCREW M3X8		
C	1A, 1B		N89-3006-46	BIND HD TAPTITE SCREW M3X6		
D	2B, 2C	*	N09-3159-08	BIND HEAD SCREW M3X17		
E	1C, 2A		N89-3008-45	BIND HD TAPTITE SCREW M3X8 BLK		
F	1C	*	N09-3160-08	SCREW WITH WASHER M3X14		
G	1C		N89-3014-46	BIND HD TAPTITE SCREW M3X14		
H	1B, 2B	*	N09-3095-08	BIND HEAD SCREW M4X8		
J	1C		N84-3008-46	GND TERMINAL		
ELECTRICAL UNIT						
C1, 2			CK45FB1H103M	CERAMIC 0.010UF M		
C102, 103			CC45CH1H101J	CERAMIC 100PF J		
C104, 105			CE04KW1H100M	ELECTRO 10UF 50WV		

L:Scandinavia

K:USA

P:Canada

G:Germany

Y:PX(Far East, Hawaii)

T:England

E:Europe

Y:AAFES(Europe)

X:Australia

M:Other Areas

△ indicates safety critical components.

PARTS LIST

* New Parts

Parts without Parts No. are not supplied.

Les articles non mentionnés dans le Parts No. ne sont pas fournis.

Teile ohne Parts No. werden nicht geliefert.

Ref. No. 参照番号	Address 位置	New Parts 新	Parts No. 部品番号	Description 部品名 / 規格	Desti- nation 仕 向	Re- marks 備考
C106, 107			CC45CH1H221J	CERAMIC 220PF J		
C108, 109			CE04KW1C101M	ELECTRØ 100UF 16WV		
C110, 111		*	CK45FB1H102J	CERAMIC 1000PF J		
C112, 113			CQ92FM1H123J	MYLAR 0.012UF J		
C114, 115			CQ92FM1H332J	MYLAR 3300PF J		
C116, 117			CE04KW1H100M	ELECTRØ 10UF 50WV		
C118, 119			CK45FF1H223Z	CERAMIC 0.022UF Z		
C120, 121			CE04KW1E470M	ELECTRØ 47UF 25WV		
C122-133			CC45SL1H151J	CERAMIC 150PF J		
C134			CC45CH1H221J	CERAMIC 220PF J		
C135, 136		*	CE04KW2AR33M	ELECTRØ 0.33UF 100WV		
C137, 138			CC45CH1H101J	CERAMIC 100PF J		
C139, 140			CC45CH1H221J	CERAMIC 220PF J		
C141, 142			CE04KW2A2R2M	ELECTRØ 2.2UF 100WV		
C143			CE04KW2A010M	ELECTRØ 1.0UF 100WV		
C144			CE04KW1C470M	ELECTRØ 47UF 16WV		
C145			CE04KW2A010M	ELECTRØ 1.0UF 100WV		
C146, 147			CE04KW2A2R2M	ELECTRØ 2.2UF 100WV		
C148, 149			CK45FB1H103M	CERAMIC 0.010UF M		
C150			CK45FB1H103K	CERAMIC 0.010UF K		
C151, 152			CE04KW2A4R7M	ELECTRØ 4.7UF 100WV		
C153			CE04KW2A010M	ELECTRØ 1.0UF 100WV		
C154			CE04KW1C470M	ELECTRØ 47UF 16WV		
C155			CE04KW2A010M	ELECTRØ 1.0UF 100WV		
C156			CK45FB1H103M	CERAMIC 0.010UF M		
C157			CE04KW1H220M	ELECTRØ 22UF 50WV		
C158, 159			CE04KW2A2R2M	ELECTRØ 2.2UF 100WV		
C160, 161			CC45CH1H221J	CERAMIC 220PF J		
C162, 163			CC45CH1H101J	CERAMIC 100PF J		
C166, 167			CC45CH1H560J	CERAMIC 56PF J		
C168, 169			CE04KW2A010M	ELECTRØ 1.0UF 100WV		
C170, 171			CE04KW1C101M	ELECTRØ 100UF 16WV		
C172, 173			CC45CH1H330J	CERAMIC 33PF J		
C174, 175			CC45SL1H681J	CERAMIC 680PF J		
C176, 177			CC45CH1H470J	CERAMIC 47PF J		
C178, 179			CK45FB1H103K	CERAMIC 0.010UF K		
C180, 181			CE04KW1H100M	ELECTRØ 10UF 50WV		
C182			CK45FB1H103M	CERAMIC 0.010UF M		
C184, 185			CK45FF1H223Z	CERAMIC 0.022UF Z		
C186-189			CQ92FM1H104J	MYLAR 0.10UF J		
C190			CE04KW2A010M	ELECTRØ 1.0UF 100WV		
C191			CE04KW1C220M	ELECTRØ 22UF 16WV		
C192			CE04KW1A470M	ELECTRØ 47UF 10WV		
C193			CE04KW1H4R7M	ELECTRØ 4.7UF 50WV		
C194			CE04KW1C470M	ELECTRØ 47UF 16WV		
C195, 196			CE04KW1E101M	ELECTRØ 100UF 25WV		
C197, 198			CE04KW1H471M	ELECTRØ 470UF 50WV		
C203, 204		*	CE04KW1J472M	ELECTRØ 4700UF 63WV		
C205, 206			CK45FF1H103Z	CERAMIC 0.010UF Z		
C207			CQ92FM1H103J	MYLAR 0.010UF J		
C208			CK45FF1H223Z	CERAMIC 0.022UF Z		
C210, 211			CK45FF1H223Z	CERAMIC 0.022UF Z		
C212			CK45FB1H103K	CERAMIC 0.010UF K		
C213			CK45FF1H223Z	CERAMIC 0.022UF Z		
C215, 216			CQ92FM1H333J	MYLAR 0.033UF J		

L:Scandinavia

K:USA

P:Canada

Y:PX(Far East, Hawaii)

T:England

E:Europe

Y:AAFES(Europe)

X:Australia

M:Other Areas

⚠ indicates safety critical components.

PARTS LIST

× New Parts

Parts without Parts No. are not supplied.

Les articles non mentionnés dans le Parts No. ne sont pas fournis.

Teile ohne Parts No. werden nicht geliefert.

Ref. No. 参照番号	Address 位置	New Parts 新	Parts No. 部品番号	Description 部品名 / 規格	Desti- nation 仕 向	Re- marks 備考
C218, 219 C250 C301, 302 C303-308 C309, 310			CK45FB1H331K CQ92FM1H473J CE04KW1HR33M CC45CH1H101J CK45FB1H103M	CERAMIC 330PF K MYLAR 0.047UF J ELECTRO 0.33UF 50WV CERAMIC 100PF J CERAMIC 0.010UF M		
C311, 312 C313-316 C317-320 C321-324 C325, 326			CE04KW1E470M CE04KW1HR33M CE04KW1H100M CQ92FM1H223J CK45SL1H561J	ELECTRO 47UF 25WV ELECTRO 0.33UF 50WV ELECTRO 10UF 50WV MYLAR 0.022UF J CERAMIC 560PF J		
C327 C328 C329, 330 C331, 332 C333		*	CE04KW1C220M CK45FB1H103K CE04KW1H100M CK45SL1H561J CK45FB1H473Z	ELECTRO 22UF 16WV CERAMIC 0.010UF K ELECTRO 10UF 50WV CERAMIC 560PF J CERAMIC 0.047UF Z		
C334 C335 C338 C341 C343, 344			CQ92FM1H273J CK45FB1H103K CE04KW1C101M CE04KW1HOR1M CQ92FM1H273J	MYLAR 0.027UF J CERAMIC 0.010UF K ELECTRO 100UF 16WV ELECTRO 0.1UF 50WV MYLAR 0.027UF J		
C345, 346 C379, 380 C387 C401, 402 C501			CC45CH1H101J CK45FB1H103M CE04KW1C101M CC45CH1H102J KHR-QM4726M6	CERAMIC 100PF J CERAMIC 0.010UF M ELECTRO 100UF 16WV CERAMIC 1000PF J CERAMIC 4700PF 250WV		
C502 C551			CK45FB1H103M CE04KW1C471M	CERAMIC 0.010UF M ELECTRO 470UF 16WV		
JACK101 JACK102- JACK201 JACK401	104	*	B63-0132-08 E70-0036-08 E70-0004-08 E11-0223-08	PHONE JACK(2P) PHONE PHONE JACK(4P) CD/TUNER/TAPE TERMINAL BOARD(SPEAKERS) PHONE JACK PHONES		
△ F501 △ F501 △ F502 △ F503 △ F503		*	F05-1623-05 F50-0059-08 F05-1623-05 F05-2015-05 F50-0060-08	FUSE T1.6A/250V FUSE 3.5A/125V FUSE T1.6A/250V FUSE T0.2A/250V FUSE 200mA/T250V	MET P M MET P	
L101, 102 L103, 104 X301			L39-1303-08 L33-0381-08 L78-0617-08	SMALL FIXED INDUCTOR(0.15UH) SMALL FIXED INDUCTOR CRYSTAL RESONATOR(4.00MHz)		
R197-200 R205, 206 R207-210 R215, 216 R227, 228			RD14GB2E680J RD14GB2E680J RD14GB2E220J KHR-RTOR25K0 RS14DB3A100J	FL-PROOF RD 68 J 1/4W FL-PROOF RD 68 J 1/4W FL-PROOF RD 22 J 1/4W CEMENT 0.22 3W FL-PROOF RS 10 J 1W		
△ R246 R251, 252 R400, 401 R501 VR101, 102			RS14DB3A561J RD14GB2E151J RS14DB3A561J R92-1769-05 R12-1066-05	FL-PROOF RS 560 J 1W FL-PROOF RD 150 J 1/4W FL-PROOF RS 560 J 1W CARBON 3.3M J 1/2W POTENTIOMETER 1KB		P
VR301, 302 VR303 VR304		*	R39-0003-08 R39-0004-08 R39-0005-08	POTENTIOMETER 10KBX2 POTENTIOMETER 200KB(BALANCE) POTENTIOMETER 100KBX2(VOLUME)		
K101			S76-0035-08	POWER RELAY		

L:Scandinavia

K:USA

P:Canada

Y:PX(Far East, Hawaii)

T:England

E:Europe

Y:AAFES(Europe)

X:Australia

M:Other Areas

△ indicates safety critical components.

PARTS LIST

* New Parts

Parts without Parts No. are not supplied.

Les articles non mentionnes dans le Parts No. ne sont pas fournis.

Teile ohne Parts No. werden nicht geliefert.

Ref. No. 参照番号	Address 位置	New Parts 新	Parts No. 部品番号	Description 部品名 / 規格	Desti- nation 仕向	Re- marks 備考
△ PW301, 302 PW401, 402 SW101 SW201 SW301-306		*	S68-0040-08 S68-0045-08 S40-1089-05 S62-0032-08 S70-0030-08	PUSH SWITCH PUSH SWITCH PUSH SWITCH POWER SLIDE SWITCH IMPEDANCE SEL TACT SWITCH		
△ SW501		*	S62-0046-08	SLIDE SWITCH AC VOLTAGE SEL	M	
△ BD102 △ BD102 △ D101-114 D115-118 D119-122			DBF40C D3SB20 1SS131 1N4002A 1SS131	DIODE DIODE DIODE DIODE DIODE		
D301-306 D311 D315 D320 △ D501-504		*	SLR-34VT 1SS133	DIODE DIODE		
		*	SLR-34VT 1SS133 1N4002A	DIODE DIODE DIODE		
IC101 IC102, 103 IC104 IC301, 302 IC303		*	NJU7313L NJM4580D-D UPC1237HA BA15218 HD404222	IC(ANALOG SWITCH) IC(OP AMP X2) IC(POWER AMP) IC(OP AMP X2) U-COM		
Q101, 102 Q103, 104 Q105 Q106 Q107			2SC1845 2SC2878 DTC124ES 2SC2235 2SA992	TRANSISTOR TRANSISTOR DIGITAL TRANSISTOR TRANSISTOR TRANSISTOR		
Q108 Q109 Q110 Q111, 112 Q113-116			DTA124ES DTC124ES 2SC1845 2SC2878 2SC1845	DIGITAL TRANSISTOR DIGITAL TRANSISTOR TRANSISTOR TRANSISTOR TRANSISTOR		
Q117-120 Q121, 122 Q123, 124 △ Q125 △ Q126, 127			2SA992 2SC4137V 2SC1845 2SD2389Y 2SB1559Y	TRANSISTOR TRANSISTOR TRANSISTOR TRANSISTOR TRANSISTOR		
△ Q128 △ Q133, 134 Q135 △ Q136 △ Q137			2SD2389Y 2SC1845 2SA992 2SD2058Y 2SB1366Y	TRANSISTOR TRANSISTOR TRANSISTOR TRANSISTOR TRANSISTOR		
Q302, 303 Q309 ZD101 ZD102, 103			2SC1740 DTA143ES MTZJ6.2B MTZ15VA	TRANSISTOR DIGITAL TRANSISTOR ZENER DIODE ZENER DIODE		

L:Scandinavia

K:USA

P:Canada

Y:PX(Far East, Hawaii)

T:England

E:Europe

Y:AAFES(Europe)

X:Australia

M:Other Areas

△ indicates safety critical components.

SPECIFICATIONS

For U.K. and Europe

Continuous rated power output	
(DIN) 1 kHz, at 8 Ω	60 W + 60 W
at 4 Ω	60 W + 60 W
(IEC / NF) From 63 Hz ~ 12,500 Hz, 0.7 % T.H.D.	
at 8 Ω	60 W + 60 W
at 4 Ω	60 W + 60 W
Damping factor40 (50 Hz)	
Total harmonic distortion	
.....0.06 % (40 Hz ~ 20,000 Hz, 50 W, 8 Ω)	
.....0.03 % (1 kHz, 60 W, 8 Ω)	
Intermodulation distortion0.05% (60 W, 8 Ω)	
(70 Hz : 7 kHz = 4 : 1)	
Frequency response	
CD / TUNER / TAPE	10 Hz ~ 60 kHz, +0 dB, -3 dB
PHONO 'RIAA' response...20 Hz ~ 20 kHz, +0.3 dB, -0.3 dB	
Maximum input level	
PHONO (MM)	100 mV, 0.05% T.H.D. at 1 kHz
Signal to noise ratio	
PHONO (MM)	75 dB (IHF '66)
	73 dB (IHF '78)
CD / TUNER / TAPE	100 dB (IHF '66)
	90 dB (IHF '78)
PHONO (MM)	57 dB (DIN, 50 mW output)
CD / TUNER / TAPE	63 dB (DIN 50 mW output)
Input sensitivity / impedance	
PHONO (MM)	2.5 mV / 47 kΩ
CD / TUNER / TAPE	200 mV / 47 kΩ
Tone control	
BASS	±10 dB (at 100Hz)
TREBLE	±10 dB (at 10 kHz)
Loudness control	
(VOLUME at -30 dB level)	+8 dB (100 Hz)
Output level / impedance	
TAPE REC.	200 mV / 330 Ω

General

Power consumption	170 W
AC outlets	
SWITCHED	For U.K. 2; (Total 200 W max.)
	For Europe 3; (Total 200 W max.)
Dimensions	
	W : 440 mm
	H : 134 mm
	D : 250 mm
Weight (Net)	5.6 kg

KENWOOD follows a policy of continuous advancements in development. For this reason specifications may be changed without notice.

Note:

Component and circuitry are subject to modification to insure best operation under differing local conditions. This manual is based on Europe (E) standard, and provides information on regional circuit modification through use of alternate schematic diagrams, and information on regional component variations through use of parts list.

For other countries

Continuous rated power output	
From 40 Hz ~ 20,000 Hz, 0.03 % T.H.D.	
at 8 Ω	60 W + 60 W
(IEC / NF) From 63 Hz ~ 12,500 Hz, 0.7 % T.H.D.	
at 8 Ω	60 W + 60 W
at 4 Ω	60 W + 60 W

Rated power output (For Canada)

50 watts per channel minimum RMS, both channels driven, at 8 Ω from 40 Hz to 20,000 Hz with no more than 0.06% total harmonic distortion. (FTC)

Damping factor40 (50 Hz)	
Total harmonic distortion	
.....0.06 % (40 Hz ~ 20,000 Hz, 50 W, 8 Ω)	
.....0.03 % (1 kHz, 60 W, 8 Ω)	
Intermodulation distortion0.05% (50 W, 8 Ω)	
(70 Hz : 7 kHz = 4 : 1)	
Frequency response	
CD / TUNER / TAPE	10 Hz ~ 60 kHz, +0 dB, -3 dB
PHONO 'RIAA' response...20 Hz ~ 20 kHz, +0.3 dB, -0.3 dB	
Maximum input level	
PHONO (MM)	100 mV, 0.05% T.H.D. at 1 kHz
Signal to noise ratio	
PHONO (MM)	75 dB (IHF '66)
	73 dB (IHF '78)
CD / TUNER / TAPE	100 dB (IHF '66)
	90 dB (IHF '78)
Input sensitivity / impedance	
PHONO (MM)	2.5 mV / 47 kΩ
CD / TUNER / TAPE	200 mV / 47 kΩ
Tone control	
BASS	±10 dB (at 100Hz)
TREBLE	±10 dB (at 10 kHz)
Loudness control	
(VOLUME at -30 dB level)	+8 dB (100 Hz)
Output level / impedance	
TAPE REC.	200 mV / 330 Ω

General

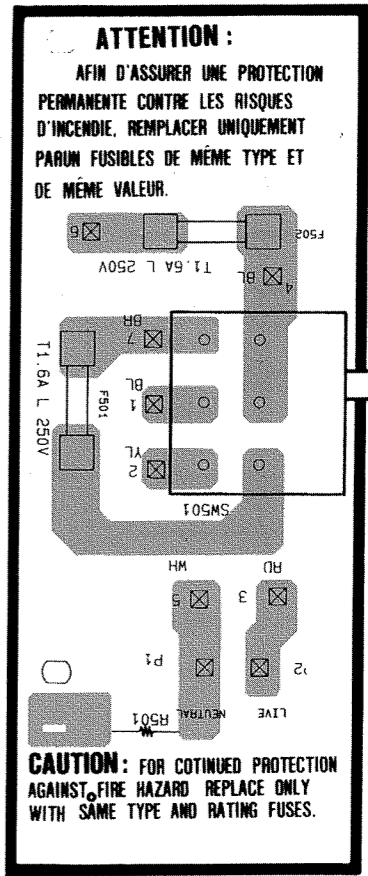
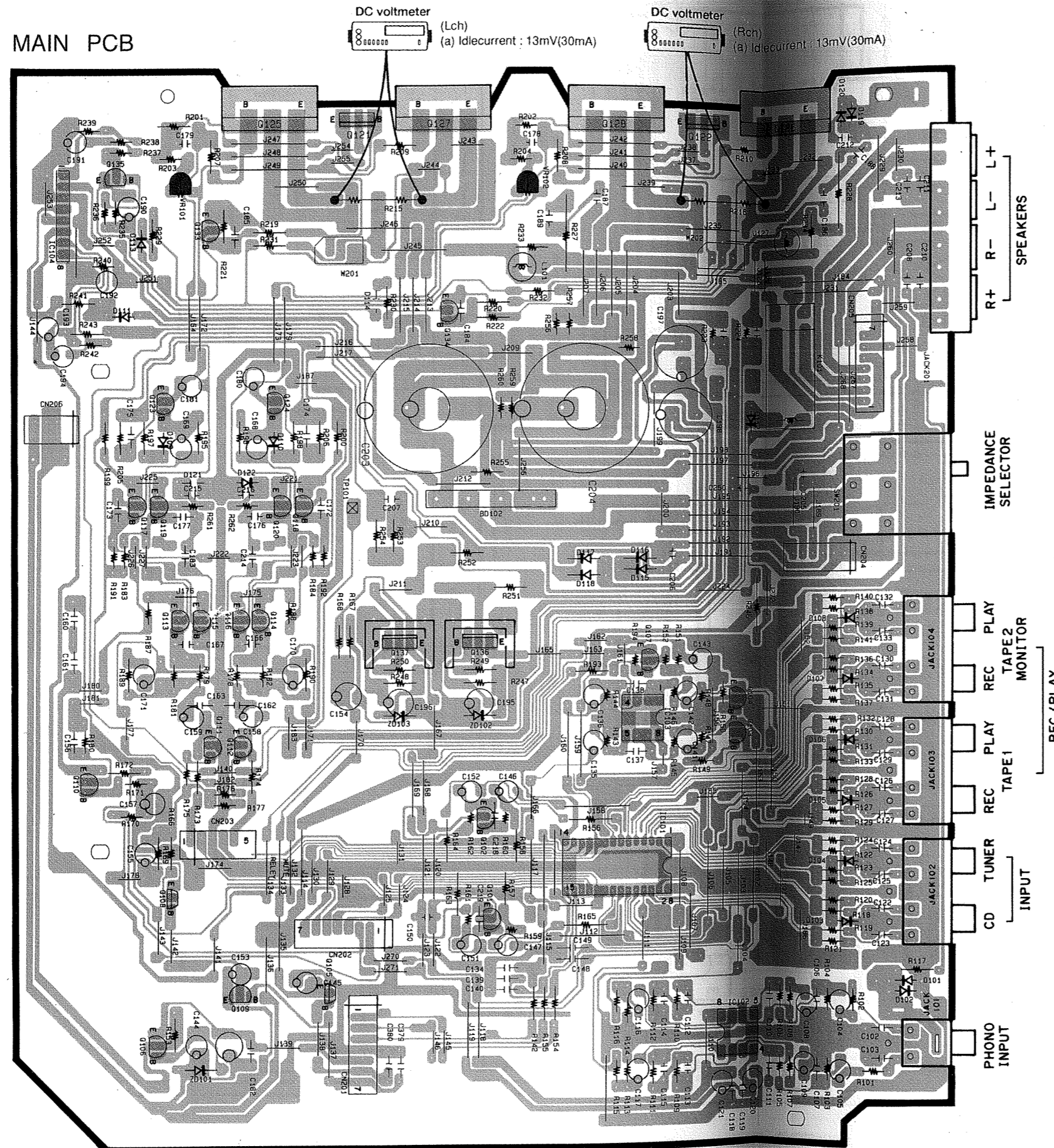
Power consumption	170 W
AC outlets	
SWITCHED	3; (Total 200 W max.)
	For Australia 1; (Total 200 W max.)
Dimensions	
	W : 440 mm (17-5/16")
	H : 134 mm (5-1/4")
	D : 250 mm (9-13/16")
Weight (Net)	5.6 kg (12.3 lb)

KENWOOD CORPORATION

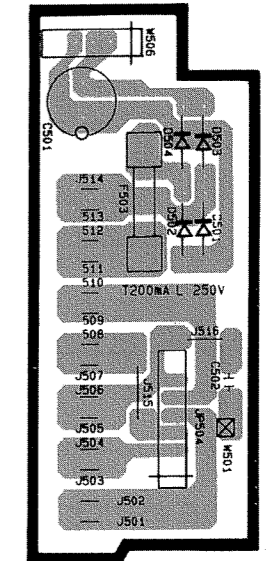
14-6, Dogenzaka 1-chome, Shibuya-ku, Tokyo, 150 Japan

PC BOARD (COMPONENT SIDE VIEW)

MAIN PCB

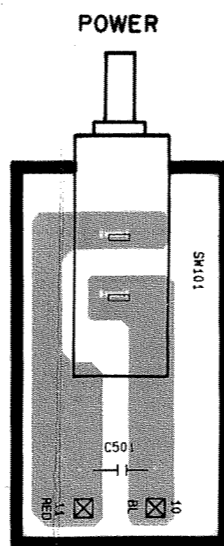
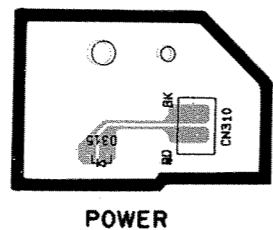
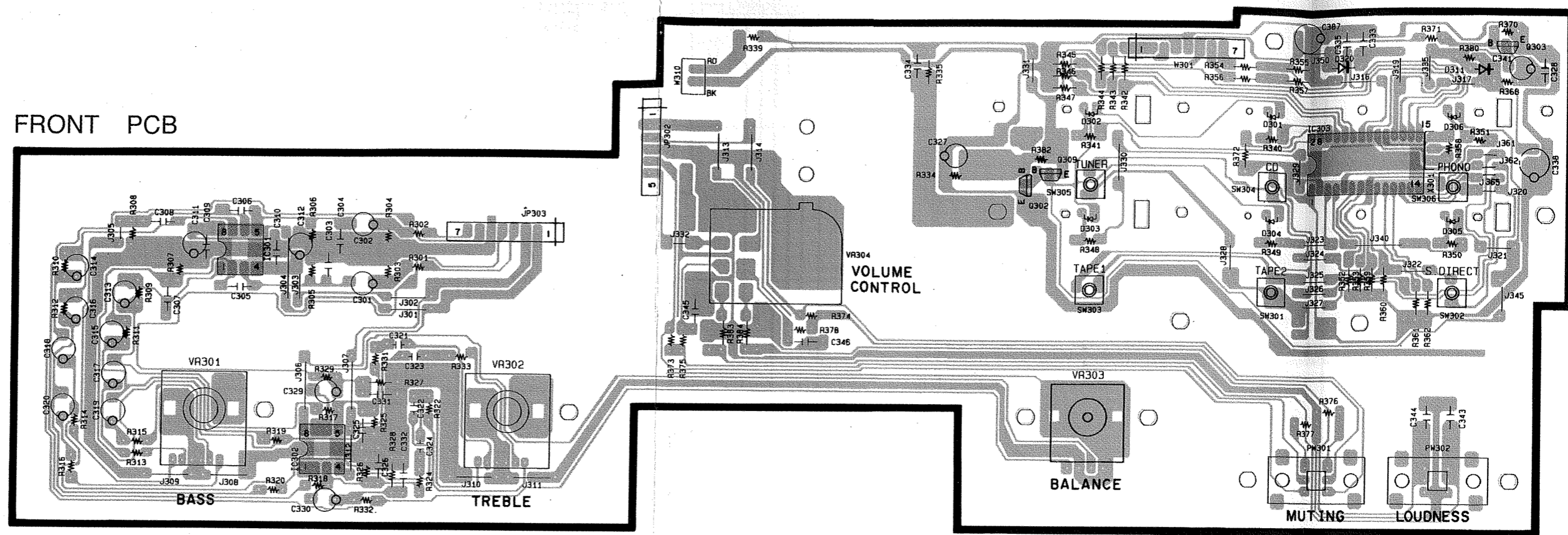


POWER PCB

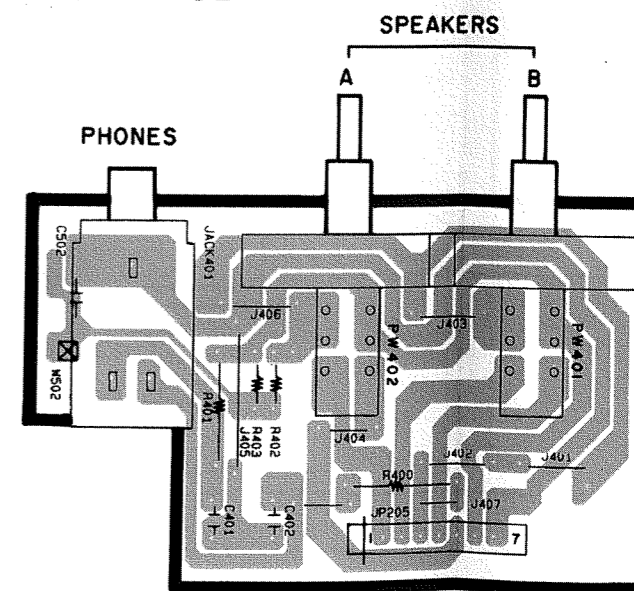


Refer to the schematic diagram for the value of resistors and capacitors.

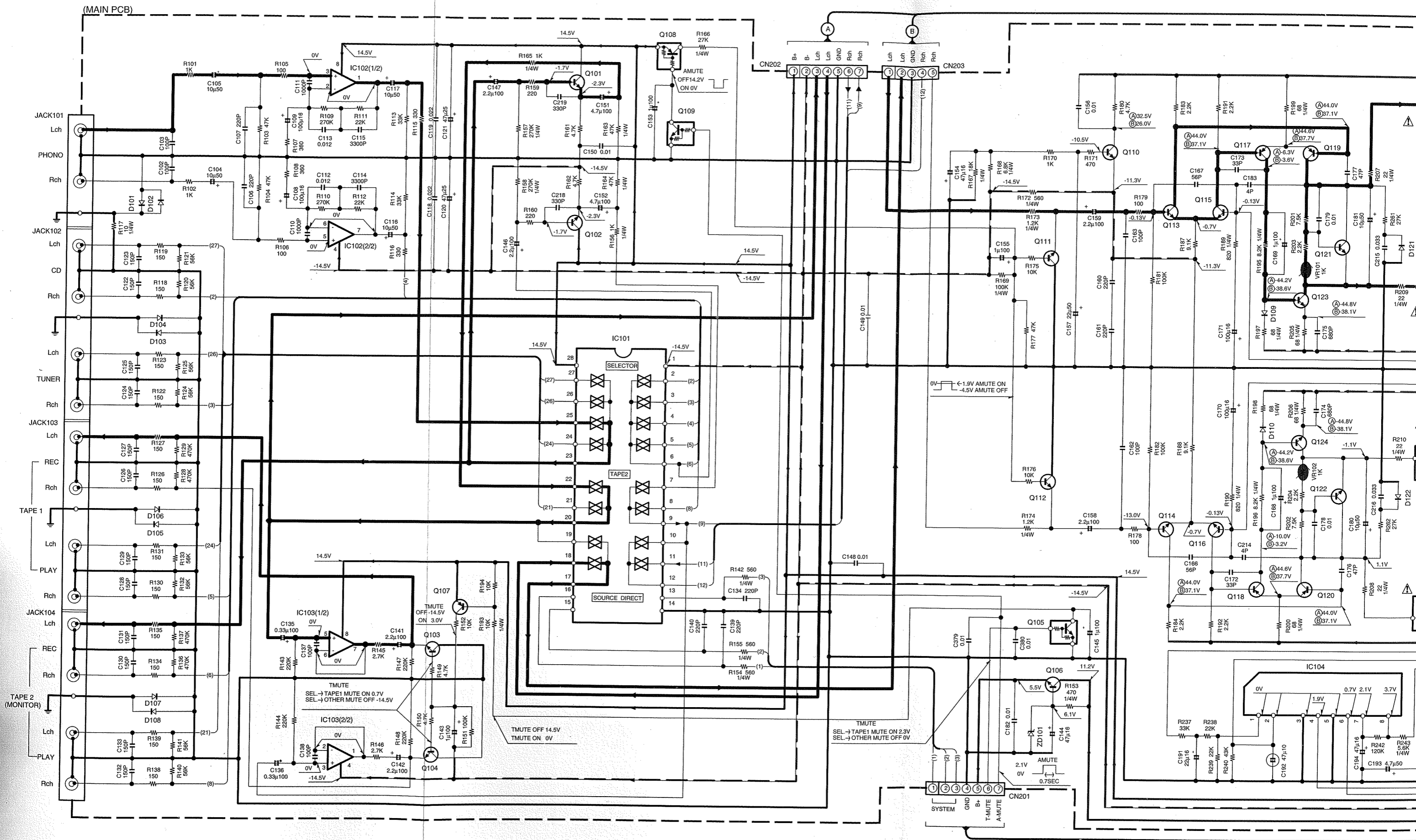
PC BOARD (COMPONENT SIDE VIEW)



JACK PCB

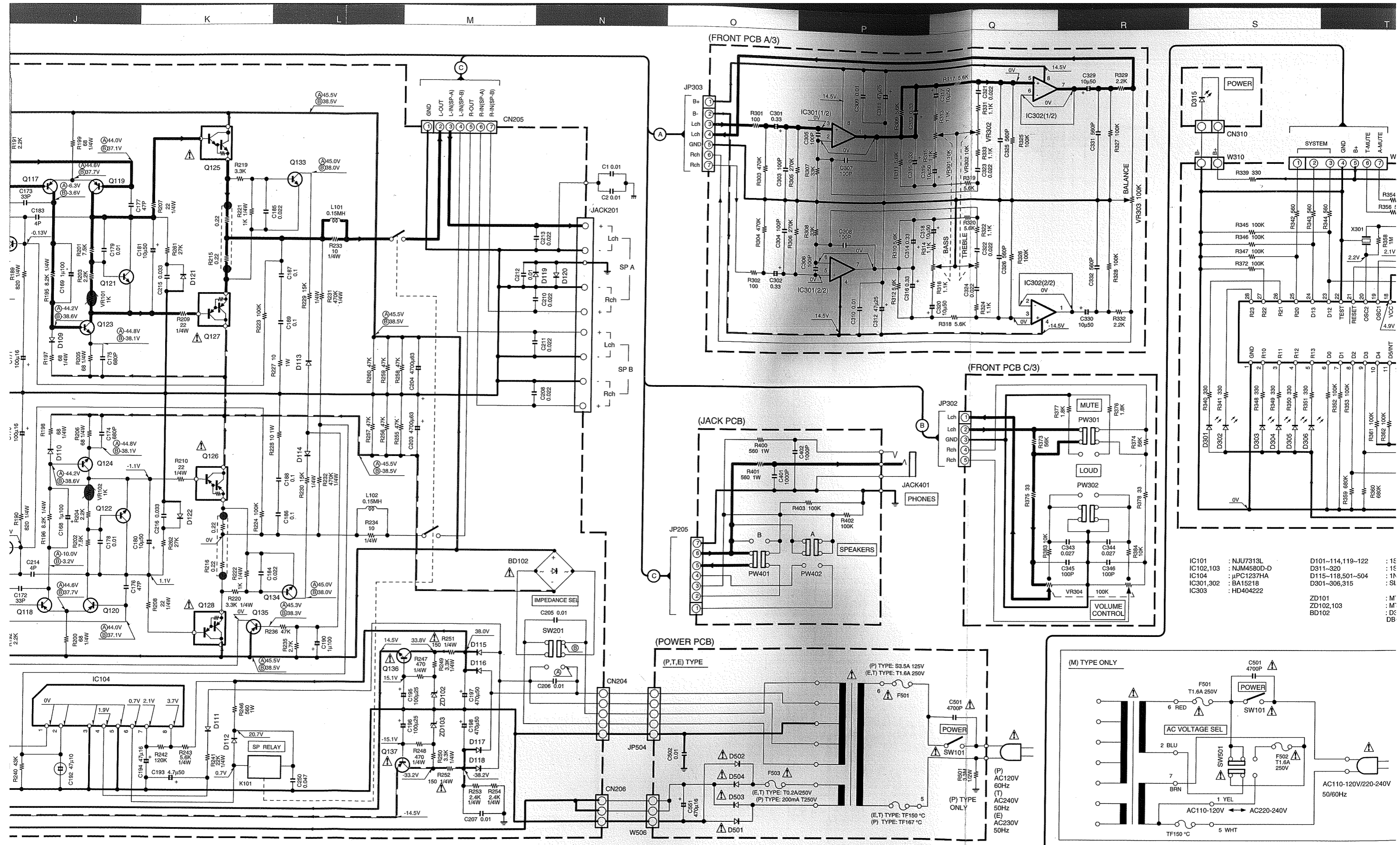


Refer to the schematic diagram for the value of resistors and capacitors.

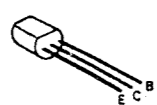


CAUTION: For continued safety, replace safety critical components only with manufacturer's recommended parts (refer to parts list). Δ indicates safety critical components. To reduce the risk of electric shock, leakage-current or resistance measurements shall be carried out (exposed parts are acceptably insulated from the supply circuit) before the appliance is returned to the customer.

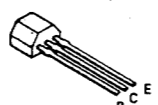
• DC voltages are as measured with a high impedance voltmeter. Values may vary slightly due to variations between individual instruments or/and units.



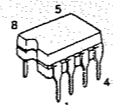
2SA992
2SC1740
2SC1845
2SC2235
2SC2878



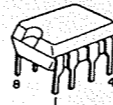
DTA124ES
DTA143ES
DTC124ES



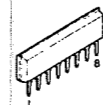
BA15218



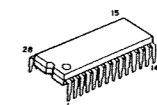
NJM4580D-D



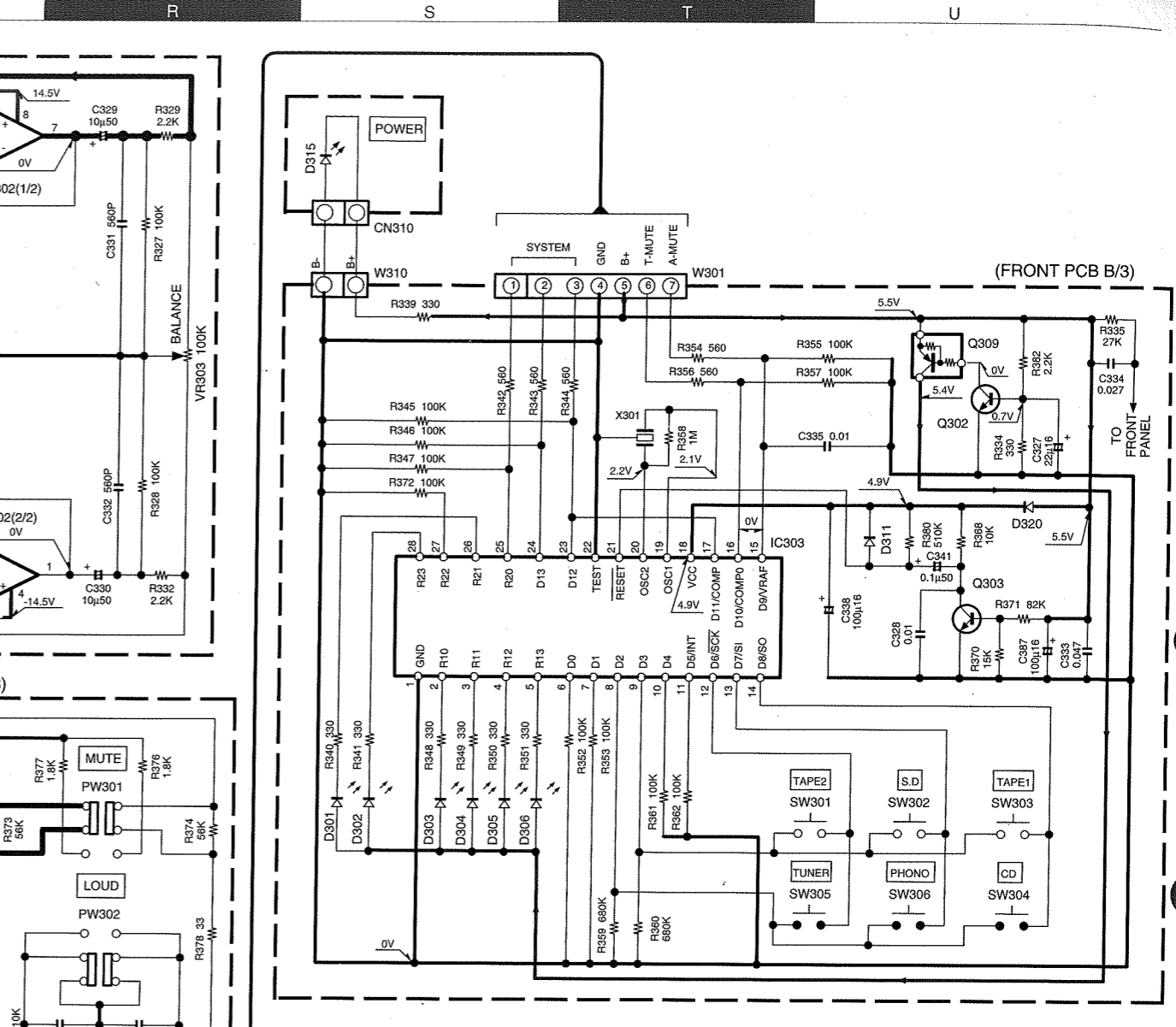
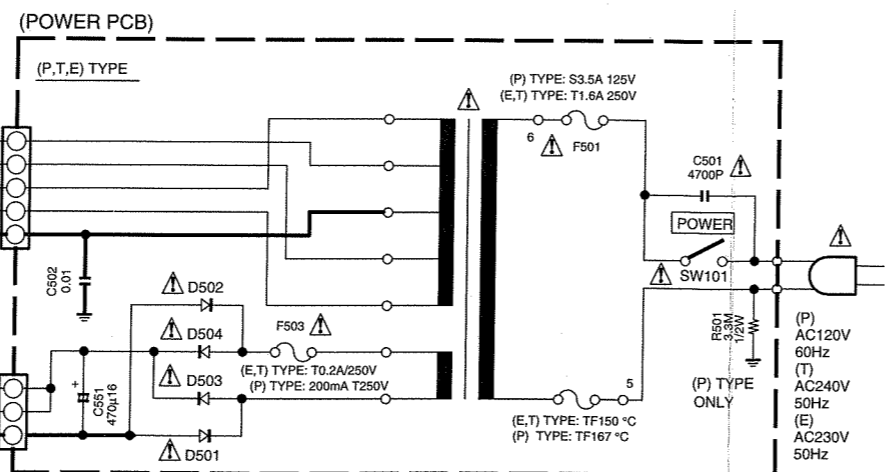
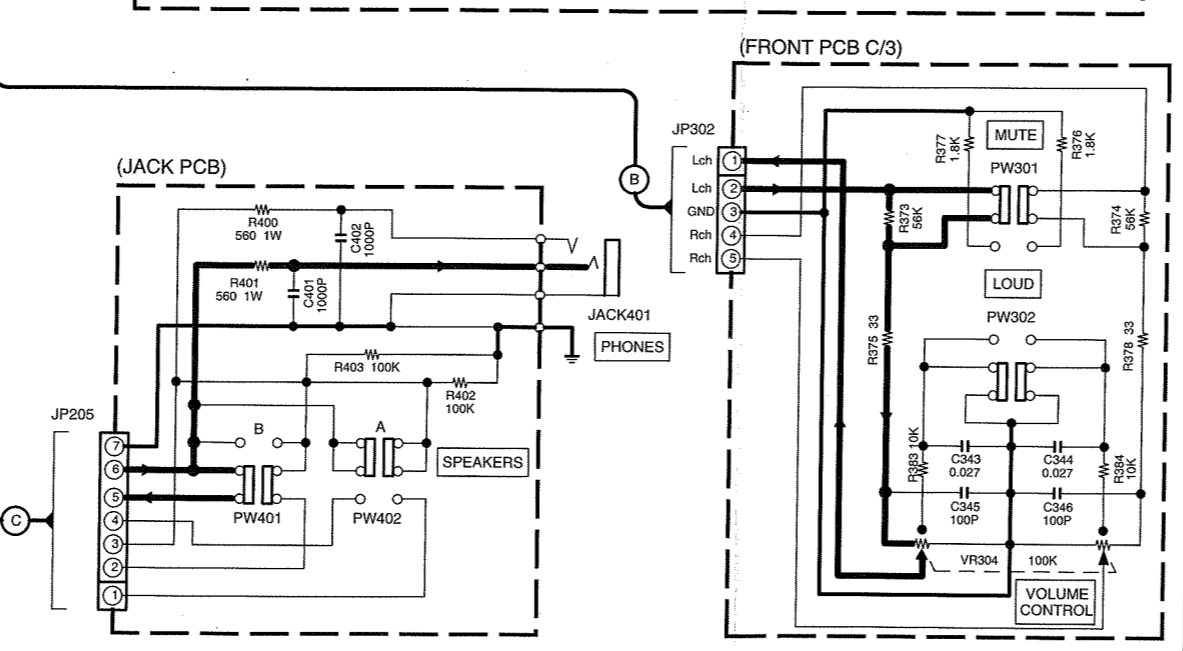
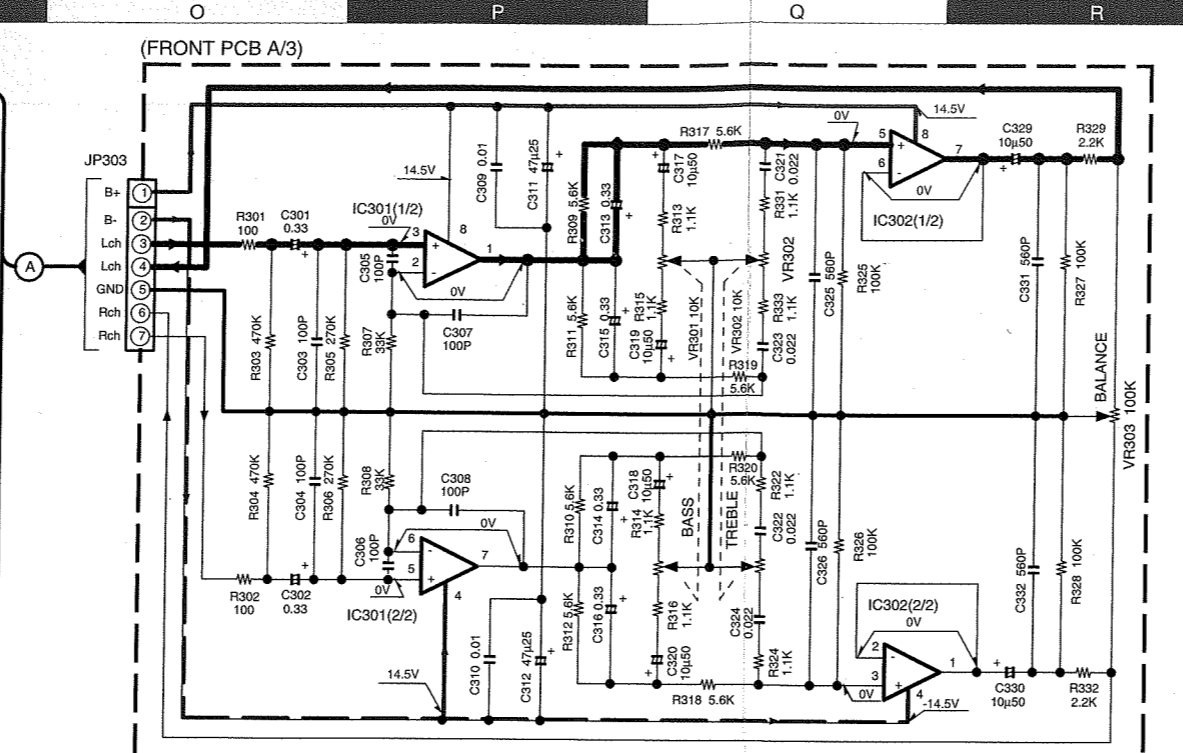
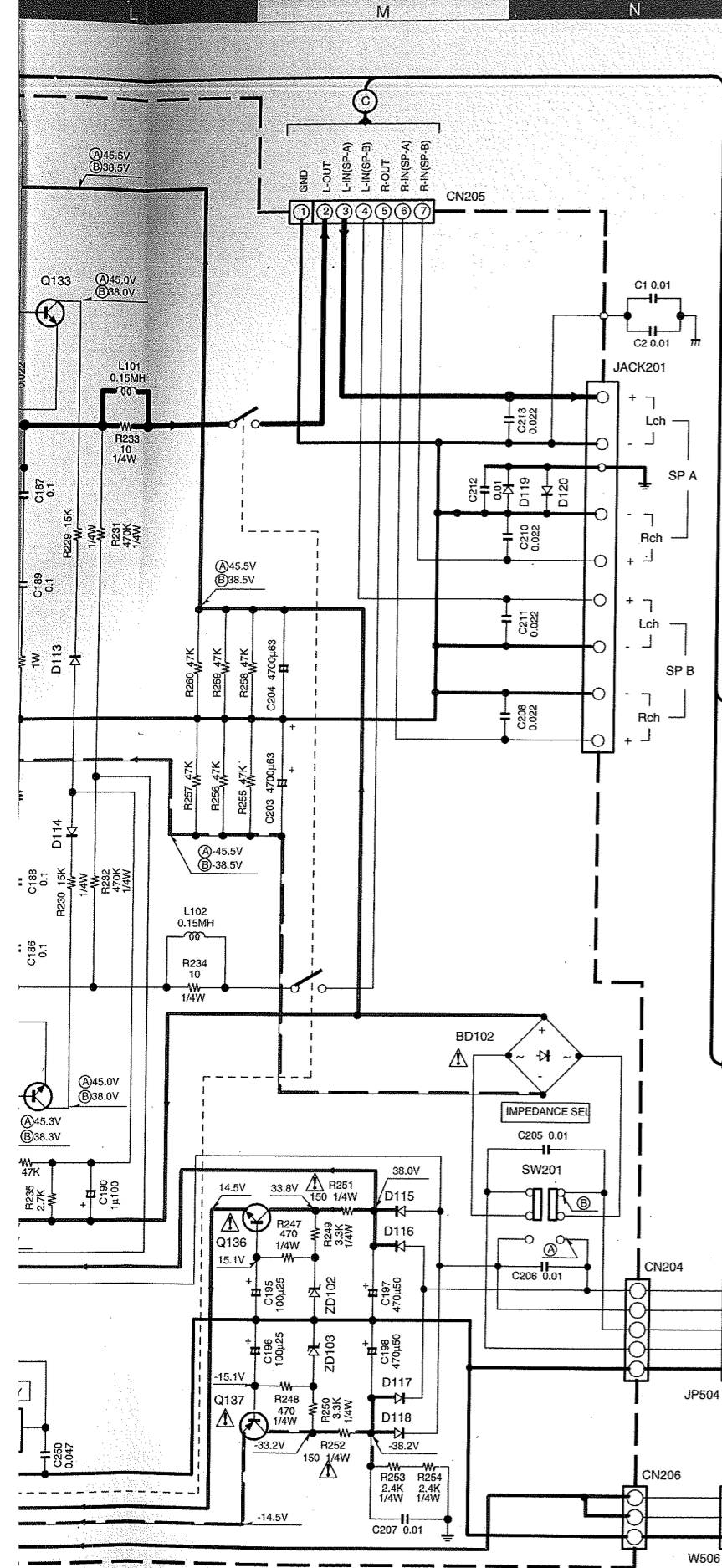
UPC1237HA



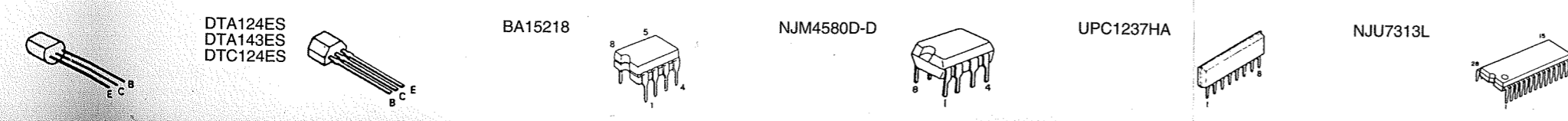
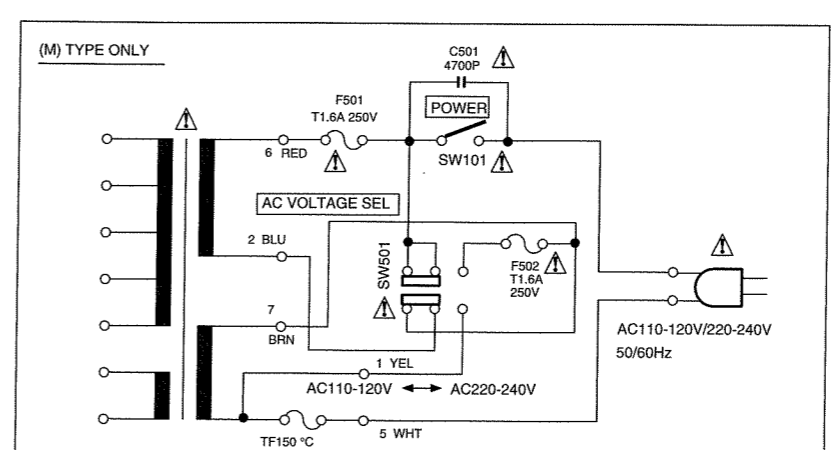
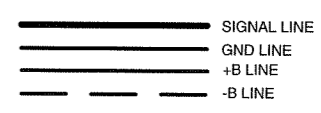
NJU7313L



- IC101 : NJU7313L
- IC102,103 : NJM4580D-D
- IC104 : μ PC1237HA
- IC301,302 : BA15218
- IC303 : HD404222
- D101-114,119-122 : 1E
- D311-320 : 1E
- D115-118,501-504 : 1E
- D301-306,315 : SL
- ZD101 : M
- ZD102,103 : M
- BD102 : DB



- IC101 : NJU7313L
- IC102,103 : NJM4580D-D
- IC104 : UPC1237HA
- IC301,302 : BA15218
- IC303 : HD404222
- D101-114,119-122 : 1SS131
- D311-320 : 1SS133
- D115-118,501-504 : 1N4002A
- D301-306,315 : SLR-34VT
- ZD101 : MTZJ6.2B
- ZD102,103 : MTZ15VA
- BD102 : D3SB20 or DBF40C
- Q101,102,110,113-116,123,124,133,134 : 2SC1845
- Q103,104,111,112 : 2SC2878
- Q105,109 : DTC124ES
- Q106 : 2SC2235
- Q107,117-120,135 : 2SA992
- Q108 : DTA124ES
- Q121,122 : 2SC4137V
- Q125,128 : 2SD2389Y
- Q126,127 : 2SB1559Y
- Q136 : 2SD2058Y
- Q137 : KTB1366Y
- Q302,303 : 2SC1740
- Q309 : DTA144ES



KA-1060
KENWOOD

Y08-5171-00